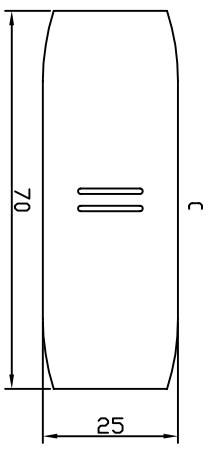
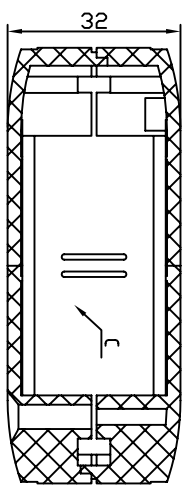
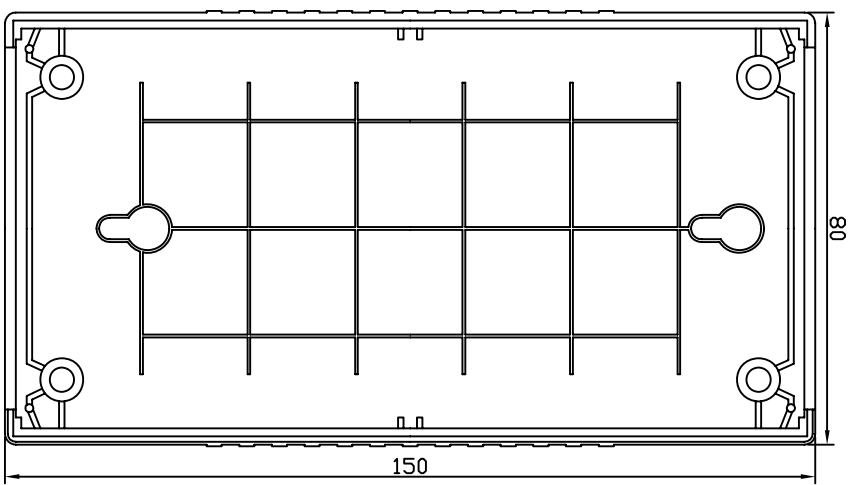
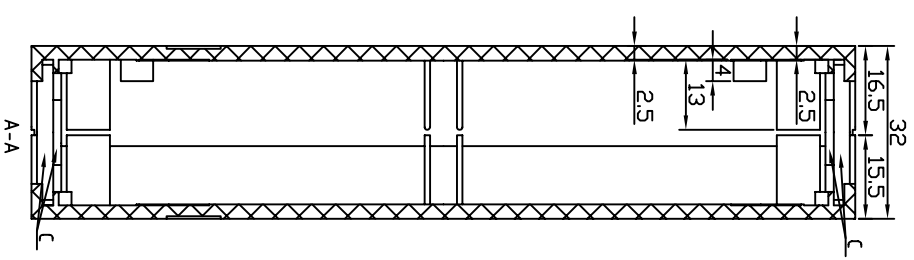
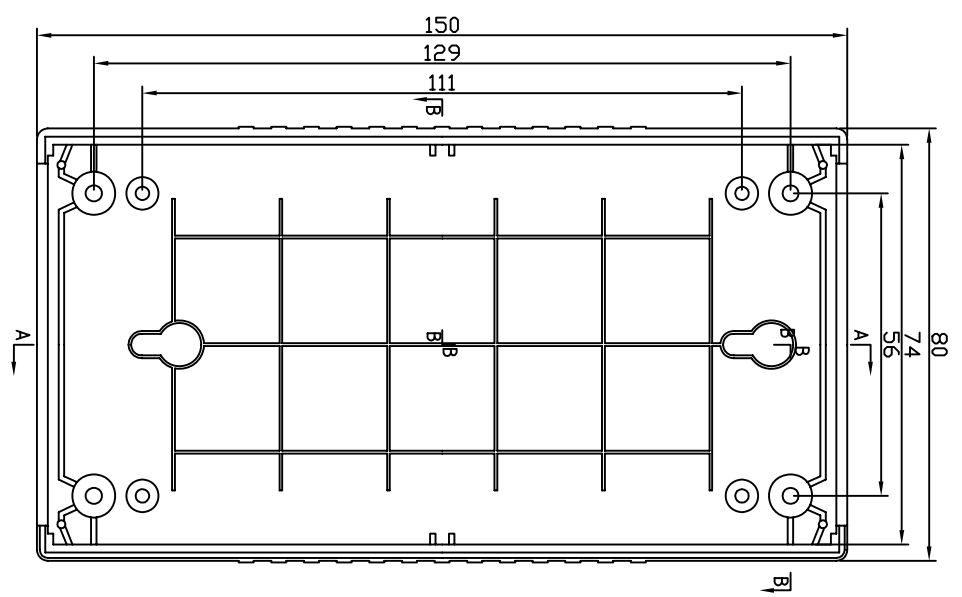


REVISION RECORD				
REV	ECO	DESCRIPTION	DRFT	CHKD



DETACHED LISTS		TOLERANCES EXCEPT AS NOTED		ANGLES ± 5°		MATERIAL: ABS		TITLE	
MM	±	MM	±	MM	±	QT'Y	1	PC053	
0.3 ± 0.3	±	0.01 ± 0.02	±		±			DRAWING NO. PC053	
0.01 ± 0.01	±		±		±			/PART NO. 00	
								DID NOT SCALE DRAWING	
								SHEET 1 OF 1	

埃弗斯
EVEREST
WWW.EVERESTCASE.COM