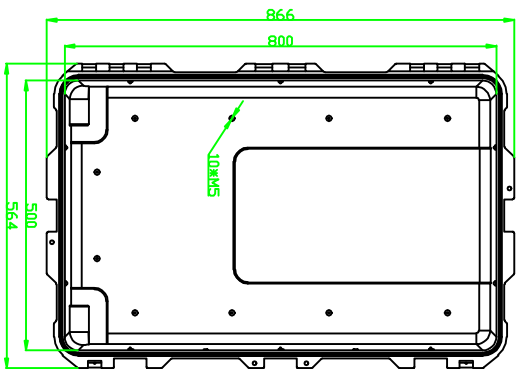
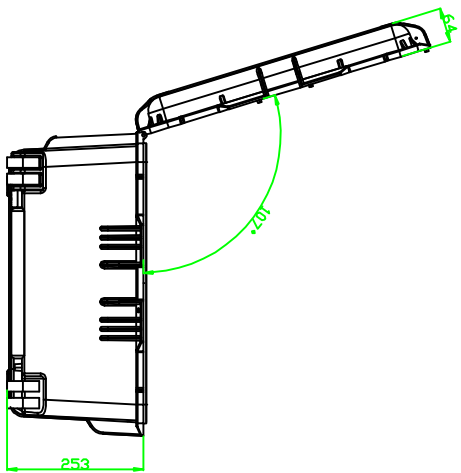
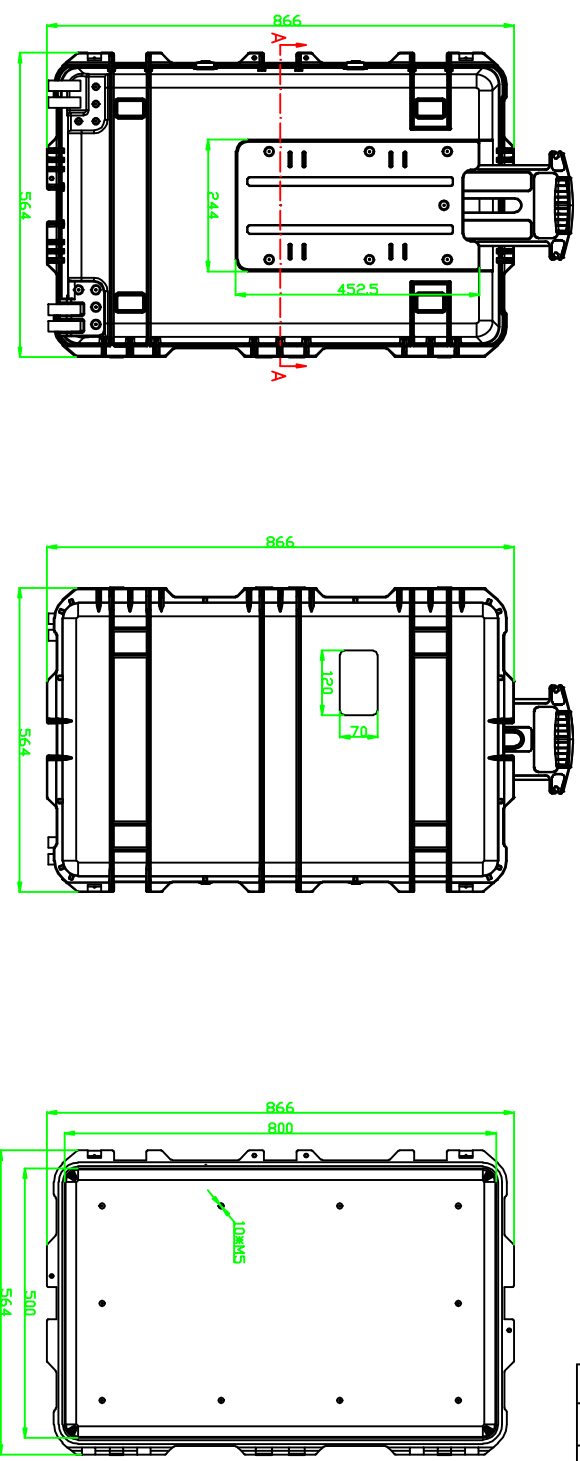





REVISION RECORD				
REV	ECD	DESCRIPTION	DWFT	CHKD



DETACHED LISTS		NAME		DATE	
 FIRST ANGLE PROJECTION	 MM (METERS)	DRAWN	Kent	03/08/2016	
TOLERANCES EXCEPT AS NOTED		CHECKED			
ALL TOLERANCES IT13		ENG APPR			
FROM TOLERANCES +/- 0.5mm		MATERIAL:	PP		
ONE TOLERANCE +/- 0.5mm		QTY:	1		
FINISH:					
SCALE: 1:1					
 EVEREST WWW.EVERESTCASE.COM					
TITLE					
DRAWING NO. RPC3431					
/PART NO. 00					
DID NOT SCALE DRAWING					
				SIZE	REV
				A4	
SHEET 1				OF 1	