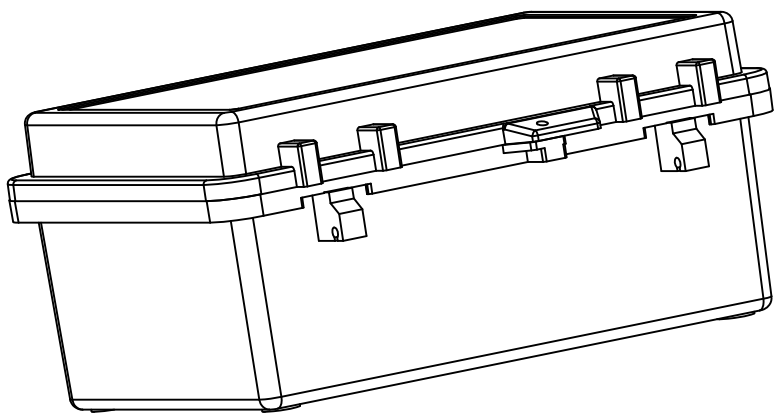
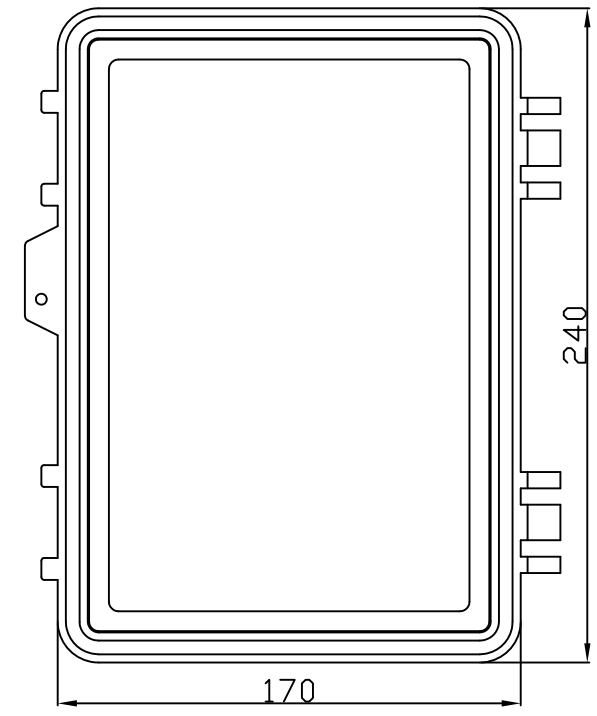
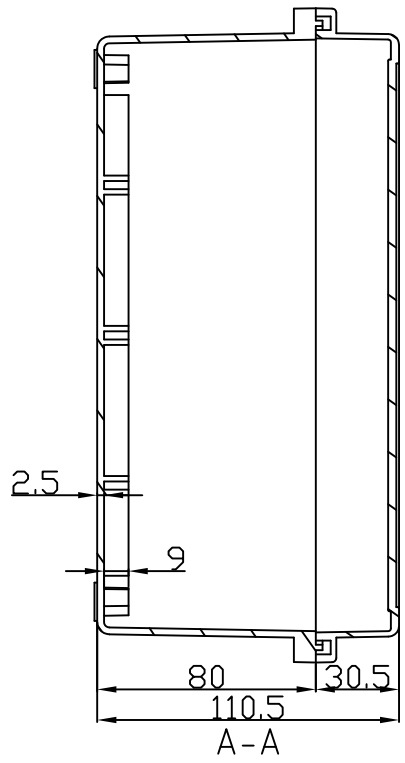
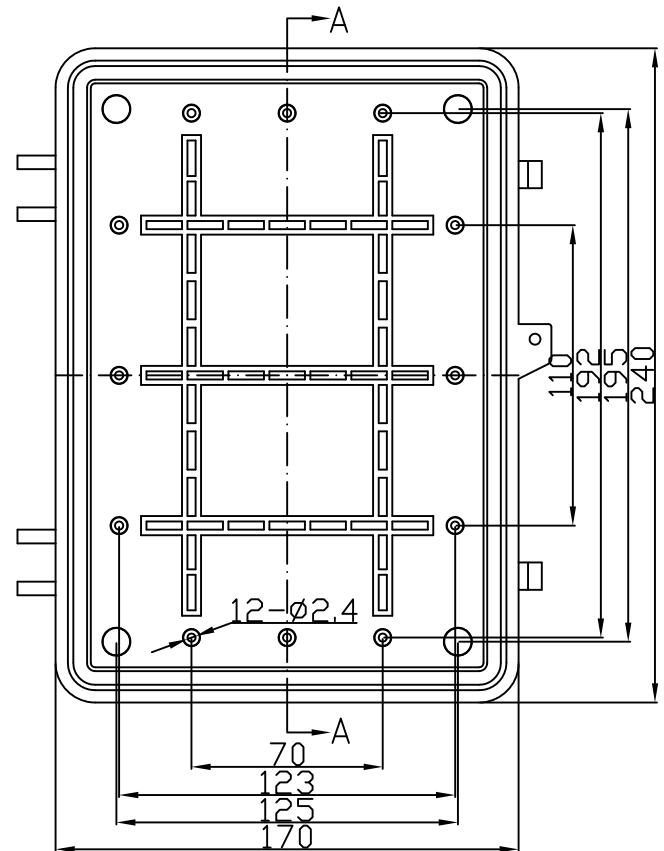


REVISION RECORD				
REV	ECD	DESCRIPTION	DRFT	CHKD



DETACHED LISTS			DRAWN	NAME	DATE	 <b>EVEREST</b> WWW.EVERESTCASE.COM	TITLE			
	TOLERANCES EXCEPT AS NOTED MM .0 ± 0.3 ± .00 ± 0.2 ± .000 ± 0.1 ±		CHECKED	Aaron	02/11/2015		PW117			
	ANGLES ± 5°		ENG APPR				DRAWING NO. PW117		SIZE	REV
	 FIRST ANGLE PROJECTION		MATERIAL : ABS		QT'Y :		/PART NO. 00	A4		
SCALE : 1:1			DO NOT SCALE DRAWING			SHEET 1		OF 1		