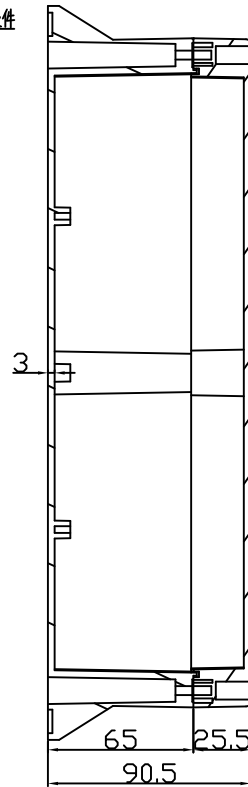
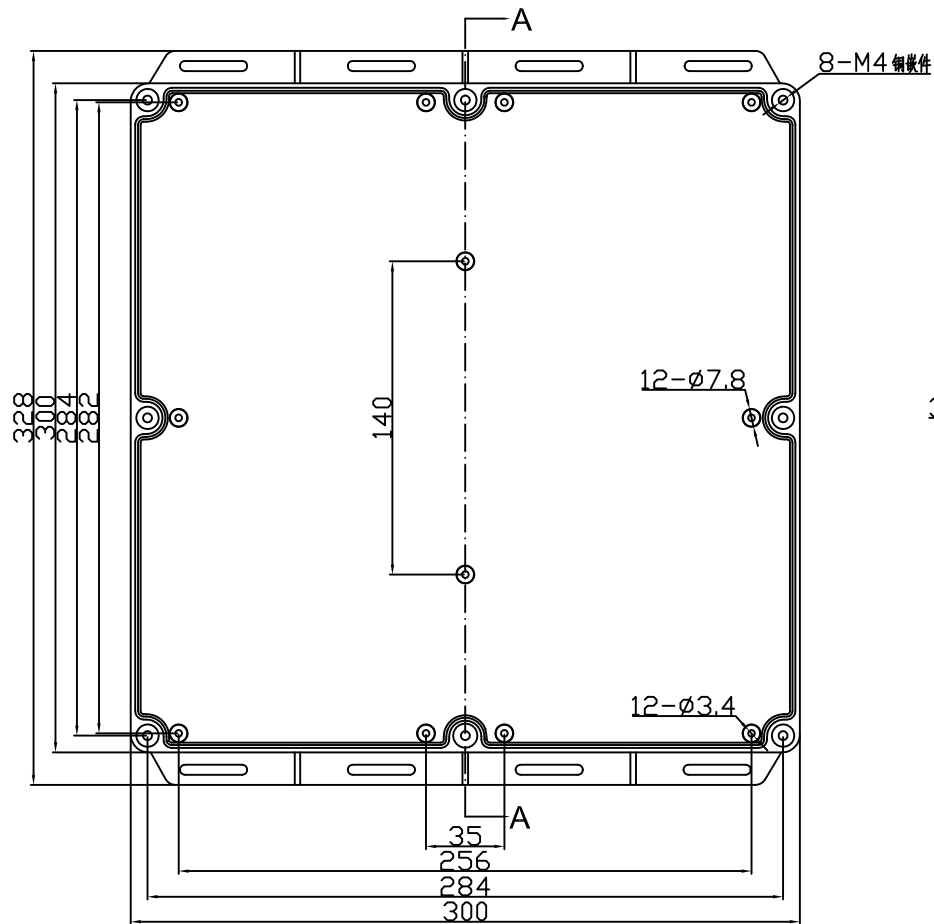
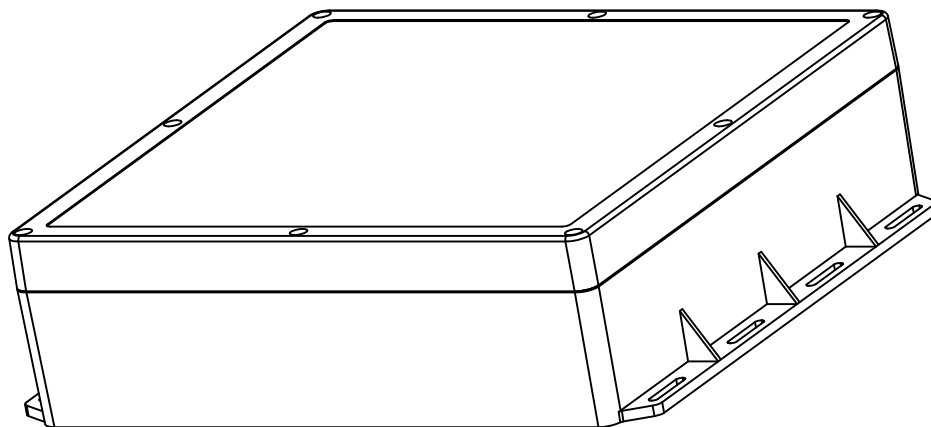
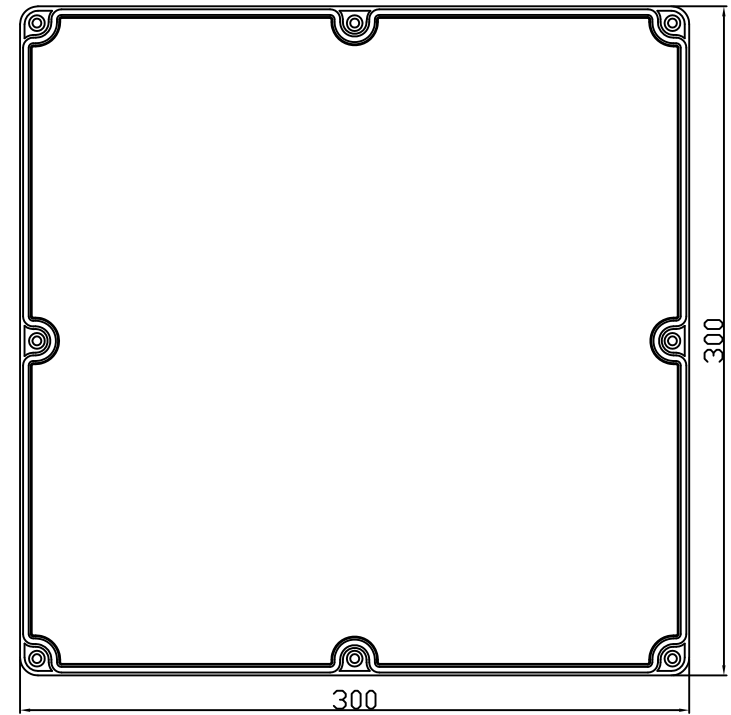


REVISION RECORD				
REV	ECD	DESCRIPTION	DRFT	CHKD



A-A



DETACHED LISTS			DRAWN	NAME	DATE	 <b>EVEREST</b> WWW.EVERESTCASE.COM	TITLE		
	TOLERANCES EXCEPT AS NOTED		CHECKED	Kevin	02/06/2015		PW150		
	MM		ENG APPR.				DRAWING NO. PW150		
	.0 ± 0.3	±					/PART NO. 00		
.00 ± 0.2	±	MATERIAL : ABS		QT'Y :	DRAWING NO. PW150		SIZE	REV	
.000 ± 0.1	±	ANGLES ± 5°		FINISH:	/PART NO. 00		A4		
FIRST ANGLE PROJECTION		SCALE : 1:1		DO NOT SCALE DRAWING		SHEET 1		OF 1	