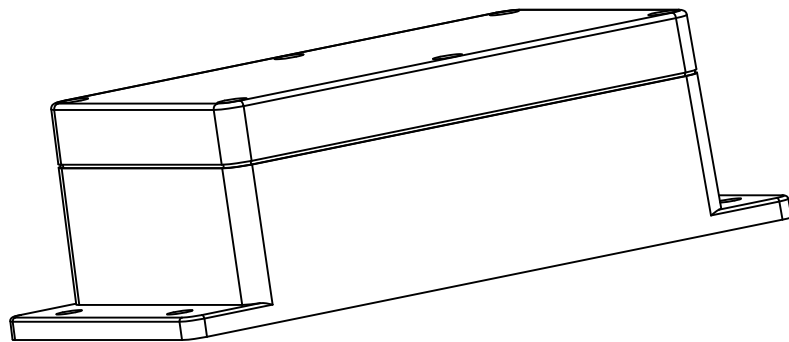
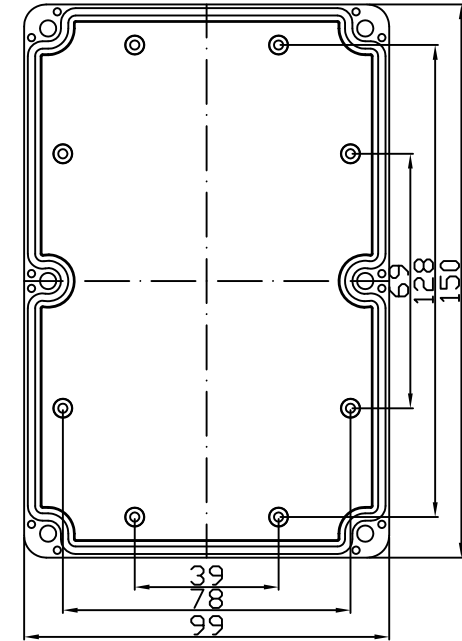
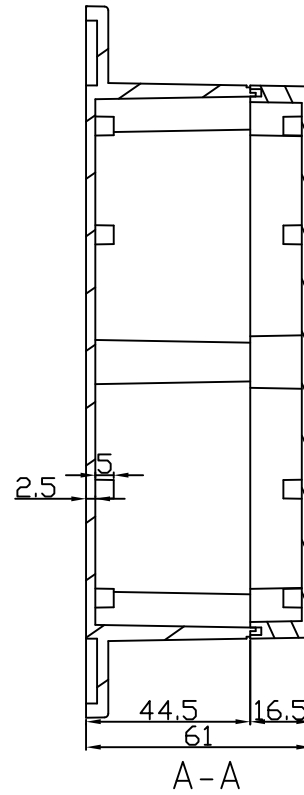
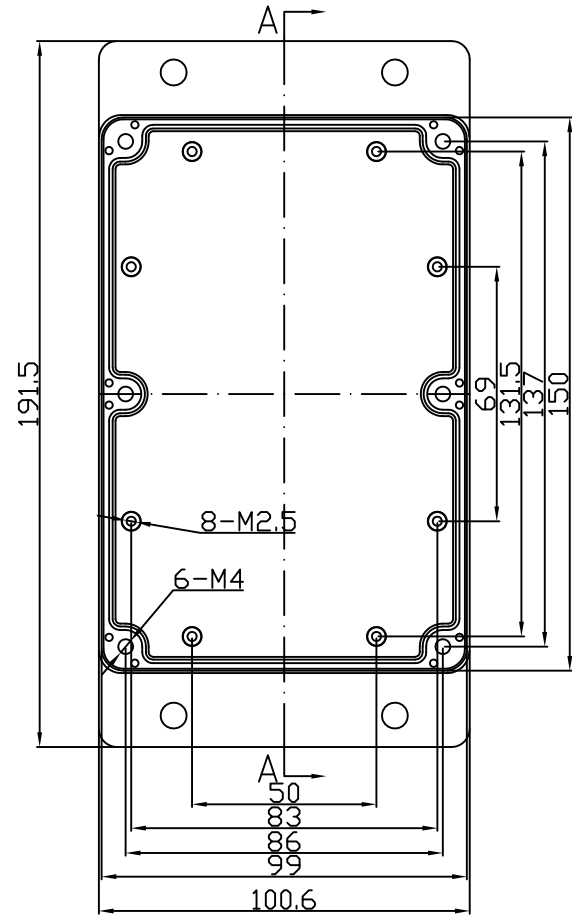


REVISION RECORD				
REV	ECD	DESCRIPTION	DRFT	CHKD



TOLERANCES EXCEPT AS NOTED		DRAWN	NAME	DATE	EVEREST	
MM	±	Aaron		01/21/2015	WWW.EVERESTCASE.COM	
.0 ± 0.3	±	CHECKED			TITLE	
.00 ± 0.2	±	ENG APPR.			PW151	
.000 ± 0.1	±				DRAWING NO. PW151	
ANGLES ± 5°		MATERIAL : ABS		QT'Y :	/PART NO. 00	
FIRST ANGLE PROJECTION		FINISH:		SCALE : 1:1	DO NOT SCALE DRAWING	SIZE A4
					SHEET 1	REV OF 1